

## FEATURES

- 16-Channels strain gage, bridge or voltage transducers
- Ethernet control and data interface
- Real time temperature compensated (Gain & Excitation) from -20°C to +50°C
- 0.05% or better accuracy over full gain & temperature range
- 10 kHz analog bandwidth, gain 1 to 1,000
- 24-Bit A/D programmable up to 24kS/s per channel
- Wide range programmable filter, 80 dB/octave
- IRIG A, B & G time decoding and recording
- 1  $\mu$ S synchronized sampling of multiple enclosures
- Ruggedized for tough environments
- 20 to 30 Volt DC power



Pacific's Ruggedized Model 7200 brings a brand new look to strain gage and transducer data acquisition. A network appliance, each module conditions, amplifies and digitizes the outputs of up to sixteen strain gage, bridge or voltage transducers. The rugged enclosure is designed for installation in wind tunnels, engine test stands and other facilities where it is desired to locate the DAS close to the test article, ultimately reducing installation and cable costs as well as improving signal quality and reliability.

Fully self-contained, the 7200 provides transducer excitation, bridge completion and balance. The transducer output is amplified, filtered to remove signal components that could produce alias errors and digitized to 24-bit resolution. The digitized transducer output is digitally processed providing multiple sample rates, an 80 dB/octave FIR filter and 32-bit floating point output format in millivolts referred to input, millivolts referred to output or user defined engineering units.

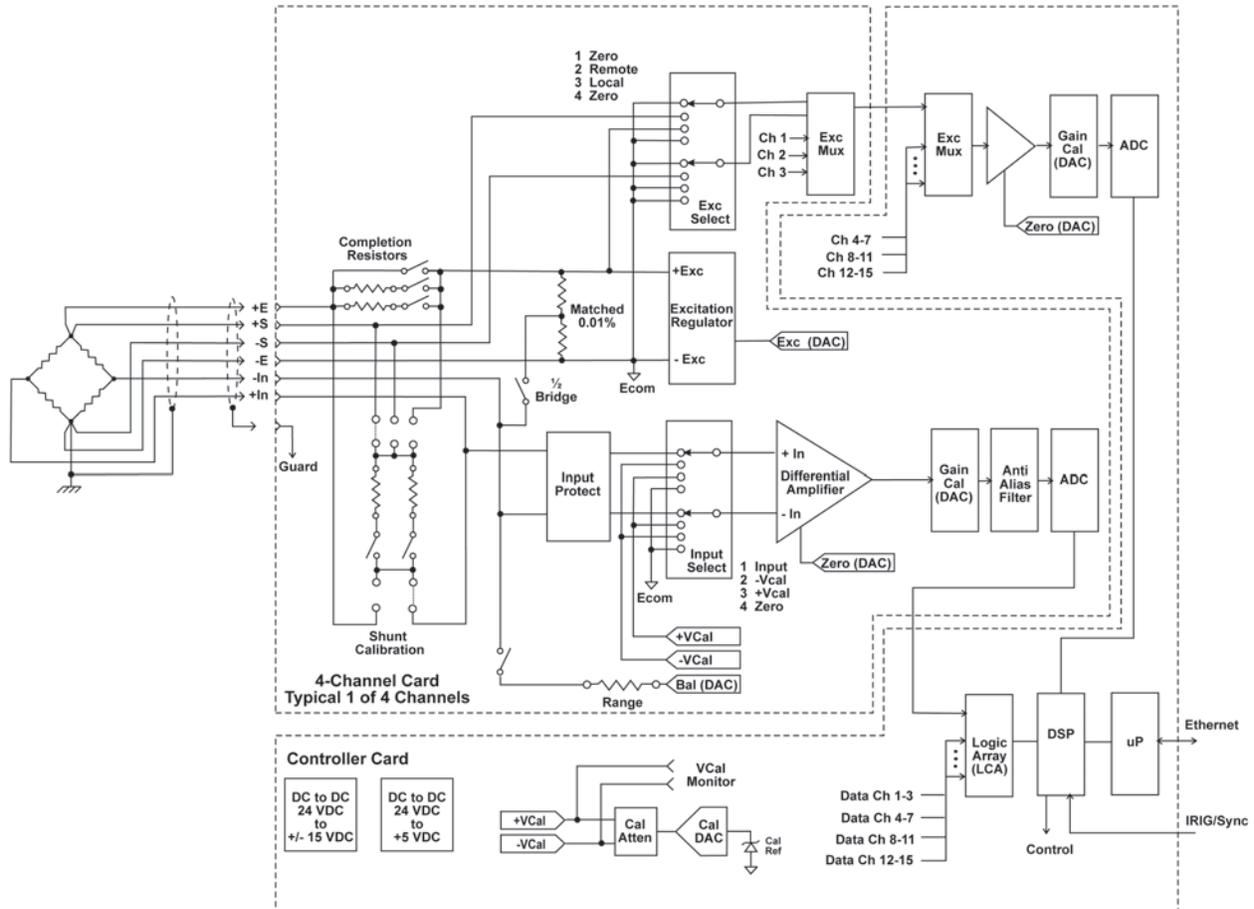
Three models are available that differ in their excitation and signal conditioning capabilities. Models 7214A and 7216A for strain gage and bridge transducers have programmable voltage excitation, bridge completion for 120 and 350 Ohm strain gages, shunt calibration and automatic balance. Model 7220A is similar but provides regulated power for transducers with internal electronics. Model 7218A is for voltage inputs. The amplified transducer signals are digitized, processed and output at 10 to 24,000 samples per second, as selected for individual channels. A digital signal processor (DSP) provides low-pass filtering selectable from 10 Hz to 3,000 Hz with 80 db/octave roll-off.

Each module has a 1 Gigabit Ethernet interface for control and data output, which simplifies system wiring and provides remote and distributed operation. IRIG time may be employed to synchronize sampling on multiple modules within 10 microseconds, or a TTL timing may be used to achieve better than 1 microsecond time alignment. Multiple modules with up to 4,096 channels may be connected on a single Ethernet LAN.

The module enclosure features interchangeable end plates that provide fully sealed, ambient air or forced air cooling. Forced air cooling provides the capability to operate over a wide temperature range according to application requirements. Occupying less than 500 cubic inches and weighing less than 14 pounds, the 7200 systems can be installed in locations previously not suitable for data acquisition systems. The Ethernet interface and IRIG timing make it easy to distribute Bricks throughout the test facility, minimizing sensor cabling and installation costs.

The 7200 does not sacrifice performance for size or portability; it features higher accuracy than most systems designed for a laboratory environment. For the 7216A, accuracy is better than 0.025% for gains up to 200 and 0.05% for gains above 200 over the temperature range -20°C to +50°C, which can be extended to higher temperatures by forced air cooling.

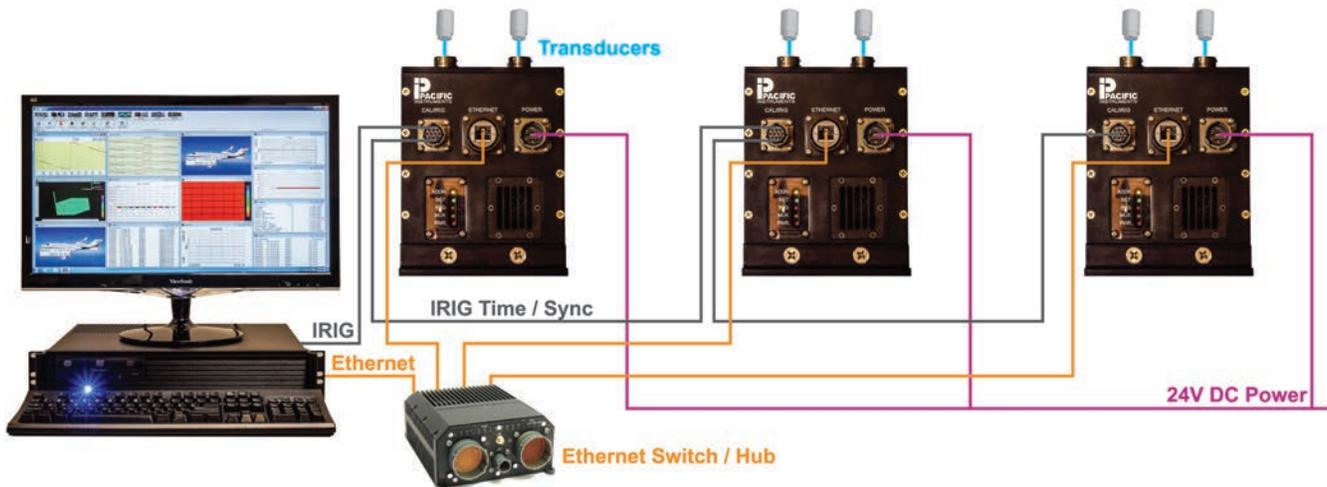
Series 7200 is supported by Pacific's PI770 software that provides a ready-to-run application and an SDK for user program development. Calibration and performance verification is accomplished by PANEL72 Maintenance and Calibration software. The ACS2000 Automatic Calibration System automates performance verification and periodic instrument calibration.



**7216A Functional Block Diagram**

Cabling transducers to a remote data acquisition system is costly and may require intermediate signal connections that introduce reliability problems. In addition the transducer and cable impedance can filter the signal, attenuating high frequency signal components. Locating data acquisition hardware near

transducers at many test facilities has required specially constructed and environmentally conditioned enclosures. Using the 7200, the data acquisition can be installed in unprepared locations and the only external connections are power, timing and Ethernet.



**Typical 7200 Installation**

### ACCURACY

Model 7216A maintains  $\pm 0.025\%$  uncertainty ( $\pm 0.05\%$  for gains above 200) over the full temperature range by continuously correcting for temperature induced excitation, gain and zero variations. Models 7214A, 7218A and 7220A maintain better than  $\pm 0.05\%$  uncertainty for gains up to 200 and  $\pm 0.1\%$  (for gains above 200). The 7200A modules are calibrated and correction vectors are stored in non-volatile memory. An internal sensor determines the correction vectors applied to the data according to the device temperature. Software is available for automatic recalibration. An internal programmable voltage reference that can be externally monitored is provided to verify channel performance.

### SIGNAL CONDITIONING

For Models 7214A and 7216A, the excitation output is programmable from 0 to 15 Volts with better than 1 millivolt resolution. Calibrated 1 Volt steps  $\pm 0.025\%$  full scale are also provided. Output current is 50 mA. The excitation voltage is continuously monitored by sense inputs connected to the sensor and automatically adjusts as necessary to maintain a constant voltage over the full temperature range. Bridge completion is programmable for quarter-bridge, 120 and 350 Ohm gages, half and full bridges. Other values can be supplied on request. Two steps of shunt calibration are provided. Transducer balance employs a high-resolution DAC and is initiated by program instruction.

### INSTRUMENTATION AMPLIFIER

The sensor inputs are protected up to  $\pm 50$  Volts differential and  $\pm 30$  Volts common mode. They are applied to a high impedance, programmable gain, differential instrumentation amplifier. The amplifier has programmable gains from 1 to 1,000 providing full-scale input ranges of  $\pm 10$  mV to  $\pm 10$  Volts. Calibrated gain steps with  $\pm 0.02\%$  accuracy are provided or the amplifier gain may be continuously programmed. Autozero maintains the amplifier output offset within  $\pm 1$  mV.

### ANALOG TO DIGITAL

Conditioned and amplified transducer signals are digitized by a 24-bit resolution Sigma-Delta analog-to-digital converter that over-samples the analog signal enabling the use of a single frequency anti-aliasing filter.

### SAMPLING

Sampling is synchronized between channels and systems providing time aligned data. All channels are simultaneously sampled at the highest sample rate, 24 kS/s. The sample clock may be synchronized to IRIG A, B or G time. IRIG G time is generated by the unit connected to the external IRIG source or designated as the master time source if external IRIG is not used. Distributed to multiple system it maintains channel to channel time skew less than 1 microsecond for channels in the same or other systems using the same master time source. If the timing signal is not present or lost during acquisition sampling will continue at the last programmed rate using an internal clock.

### FILTER

Finite Impulse Response (FIR) filtering is provided. Eighty sets of 128 FIR filter coefficients are available in each 7200, providing an extensive selection of filter frequencies and characteristics. The coefficients are user programmable, and each coefficient is 18 bits in length. The filters are loaded with customer-specified default coefficients providing logical filter cutoff selections and characteristics. The default filter frequencies and characteristics are easily changed using program instructions to satisfy future requirements.

### DATA

Data are output in a digital format on the Ethernet interface. The output data is 32-bit floating point format and can be chosen via programming to be Volts, millivolts, microvolts, or user defined engineering units derived from a polynomial expression. Each system can output data from all channels at the maximum sample rate. Data rates in excess of 7 million samples per second are achievable from combined systems on a single LAN.

### PROGRAMMING

All operating parameters can be set and queried using the extensive, built-in command set. Setup information is saved in password protected EEPROM memory on board, and it is automatically restored when power is applied or the system reset. The command set is well documented, and source code programming examples are provided.

### SOFTWARE

PI770 is the choice for test management, data acquisition, and data display. Ready to run out of the box it is a 32-bit application that runs on Microsoft Windows operating system. It provides all the tools for test definition, setup and tracking, transducer calibration, data acquisition, display, replay and export, and test quality validation. PI770 comes with an Application Programmer's Interface that greatly reduces the development time for custom operating software. PANEL72 is Pacific's maintenance and calibration software. It may be used to troubleshoot installation problems and calibrate the 7200 modules.

### COMMUNICATIONS

Initializing communication with the 7200 is simple. Commands are included that enumerate the 7200 devices on the network. After the enumeration operating software creates a socket interface between itself and each 7200, simple Send and Receive network commands are used to communicate. Status LEDs that assist with initial setup are located on the connector end of the enclosure. Multiple systems, up to 4,096 channels, may be connected to a single Ethernet LAN.



### SPECIFICATIONS

#### INPUT

Input Configuration ..7214A & 7216A: Six-wire input, signal input (2), excitation (2), excitation sense (2) & shield. Programmable bridge completion for half bridges & 120 Ohm & 350 Ohm quarter bridges.  
7218A: Two-wire input, signal input (2) & shield.  
7220A: Four-wire input, signal input (2), transducer power (2) & shield.

Input Impedance....50 Megohms, shunted by 500 pF.

Input Protection.....±50 Volts differential, ±50 Volts common mode without damage.

Bridge Balance .....7214A & 7216A: Automatic by program control. Balance accuracy ±0.025% of range, ±1 mV RTO. Balance range up to 25 mV/V (factory set to ±0.87 mV/V unless otherwise specified) for 350 Ohm bridge.

#### EXCITATION / TRANSDUCER POWER

Voltage Excitation ..7214A & 7216A: Constant voltage with remote sensing. Programmable from 0 to 15 Volts with 1 mV resolution. Calibrated 1-Volt steps ±0.025% full scale. 50 mA limited to 70 mA maximum.

Excitation Regulation ..±0.1% over input voltage range and no-load to full load.

Excitation Stability ..±0.01%, 0.001%/°C

Excitation Noise.....200 µV peak-to-peak, DC to 10 kHz

Transducer Power ..7220A: Regulated voltage. Programmable from 1 to 15 Volts in 1V steps. Regulation and stability ±1%

#### AMPLIFIER

Input Ranges .....±10 mV to ±10 Volts full scale.

Gain .....Programmable from 1 to 1,000 with 0.02% resolution. Thirteen calibrated gain steps are provided: 1, 2, 3, 5, 10, 20, 30, 50, 100, 200, 300, 500, 1000 with ±0.02% accuracy.

Gain Stability .....±0.01%, ±0.001%/°C.

Gain Linearity .....±0.02 %.

Common Mode ....60 dB plus gain in dB to 110 dB, DC to 60Hz.

CM Voltage .....±10 Volts operating.

Zero .....Program controlled automatic zero to ±2 µV RTI or ±1.0 mV RTO, whichever is greater.

Zero Stability .....±2 µV RTI plus ±1 mV RTO over the full temperature range.

Source Current .....±40 nA, ±0.4 nA/°C.

Noise (10 kHz).....2.0 µV RTI plus 0.3 mV RTO, RMS.

Bandwidth .....10 kHz (-3dB).

Overload .....Recovery time is 120 µS to within ±0.1% for a 10 times overload to ±10 Volts.

#### FILTER

Type .....Finite Impulse Response (FIR) with 128 coefficients.

Response .....Filters are flat within ±0.05% to the "cutoff frequency" and down in excess of 80 dB at 0.05 times the sample rate past the "cutoff frequency." Programmable cutoff frequencies are 1%, 2%, 5%, 10% and 20% of the programmed sample rate. Alternate cutoff frequencies can be provided.

#### DIGITIZER

Resolution .....24-bits, Sigma-Delta type.

Sample Rate.....24,000 sps per channel. Individual channels may be programmed to output data at rates from 10 sps to 24,000 sps. Supports all sixteen channels at the highest sample rate (384,000 sps throughput).

#### TIME SYNCHRONIZATION

Source .....TTL Pulse width Modulated and Analog Amplitude Modulated IRIG A, B or G Modes are supported for multiple Module synchronization or for synchronization to external events.

Time Alignment.....1 µS using TTL and 10 µS using IRIG between channels and channels in different modules.

Output .....IRIG time, (days, hours, minutes, seconds and microseconds) may be inserted at selected locations in the output data stream.

#### ACCURACY

7216A .....The system maintains ±0.025% full scale uncertainty for gains up to 200 and ±0.05% full scale uncertainty for gains above 200 over the operating temperature range.

7214A, 7218A, 7220A..The system maintains ±0.05% full scale uncertainty for gains up to 200 and ±0.1% full scale uncertainty for gains above 200 over the operating temperature range.

#### CALIBRATION

Shunt .....Two steps of single shunt. Installed shunt resistors provide 0.502 mV/V and 0.250 mV/V, ±1% for a 350 Ohm bridge.

Voltage Ref .....A temperature stable internal reference, attenuator and DAC provides performance verification for all gains. The 5-Volt reference, DAC and selectable 1, .1 and .01 attenuator provides 0.0015% resolution for each attenuator step. Post attenuator reference accuracy is ±0.2% for gains to and including 100 and ±0.3% for gains over 100 with a stability of ±0.01%. Output of the internal reference is provided on a connector.

Zero .....Amplifier input disconnected and shorted for zero calibration.

#### INTERFACE / COMMUNICATIONS

Interface .....1 Gigabit Ethernet, TCP/IP, control and data.

Data Format .....Floating point, 32-bits. Output available in engineering units, Volts or millivolts.

Operation .....Supported by PI770 and PANEL72 software.

#### MECHANICAL

Input Connectors....MIL-C-26482, Series 1, 1/4-turn locking.

Temperature .....-20°C to +50°C operating. ambient air. -20°C to +40°C operating fully sealed. Extended temperature range using forced air cooling.

Shock .....50 Gs, 11 mS all axis. MIL-STD-810F, Procedure I.

Moisture .....NEMA 13.

Power .....20 to 30 VDC, 3A

Dimensions.....5.25" Wide, 6.75" High, 11.5" Deep excluding mounting flanges. 13.5" Deep with mounting flanges.

Weight .....13.25 lbs.

#### ORDERING INFORMATION

7214A .....16-Ch Strain/Bridge Data Acquisition.  
7216A .....16-Ch Strain/Bridge Data Acquisition.  
7218A .....16-Ch Voltage Data Acquisition.  
7220A .....16-Ch Transducer Data Acquisition.